

- (X07-1950-10)
- 05, 6, 31, 32 25C2009
 - 27-10 25C0845 (E, F)
 - 01, 12 μ P74V16 (E, F)
 - 03, 15-18 25A1111 (O, B, S)
 - 018, 20 25C2633 (O, B, S)
 - 021, 22, 55, 56 25C2803 (O, B, S)
 - 023, 24 25A1102 (O, B, S)
 - 025, 28 25C2591 (O, B, S)
 - 027, 29 25A954
 - 023, 34, 37, 38 25A999 (E, F)
 - 033, 38 25C2320
 - 037, 39, 43, 44, 53, 54, 61, 62 25C1841
 - 039-42, 63 25A988
 - 026, 60 μ PC1237H
 - IC1 μ PC1237H
 - 152076 or 151955
 - 03, 4 92-051
 - 07-10, 15-22, 27, 39, 33, 34 152076A
 - 023-26 15F-21
 - 029, 30 3TV-2M (O)
 - 031 5Z-242

- 25A954
- 25C1845
- 25A988
- 25C2003
- 25A999
- 25C2320
- 25A1123
- 25C2631
- 25A1124
- 25C2632
- 25C1841

- 25A957
- 25C2167
- 25A1111
- 25C2591

- 25A1095
- 25C2565

- 25B688
- 25D718

- 25K105
- 25K163
- 25K170

- μ PA68H

- μ PC1237H

- TA2010A

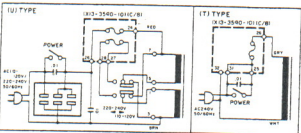
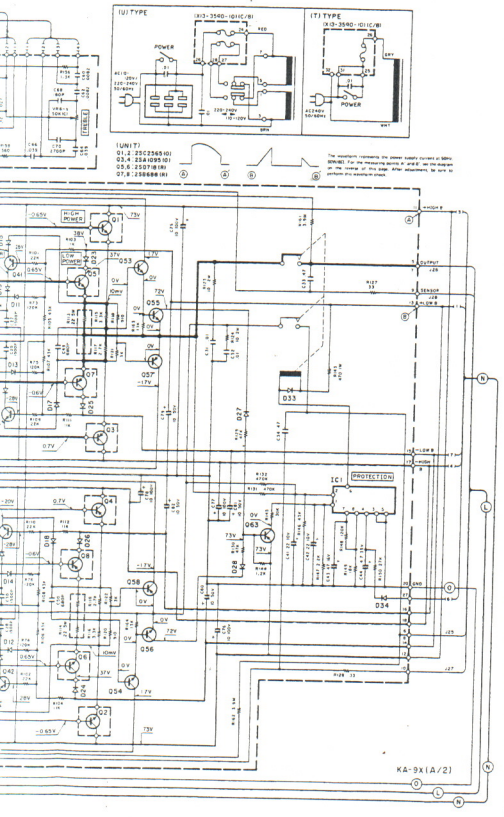
- μ PA74



RATED AMPLIFIER

KA-9X/9XG

E F G H



- (UNIT)
 01.2 25C2545 (U)
 02.4 25A0593 (U)
 05.6 250718 (U)
 07.8 258686 (U)

The manufacturer represents the power supply circuit as shown. (U) TYPE: For the measuring device in unit 1, use the value on the package or data sheet. Other components are shown in parentheses and are optional.

SPECIFICATIONS

Power output

120 watts per channel minimum RMS, both channels driven, at 8 ohms from 20 Hz to 20,000 Hz with no more than 0.008% total harmonic distortion.

Both Channels Driven into 8 ohms at 1 kHz 130 watts
 Both Channels Driven into 8 ohms at 1 kHz 170 watts
 Driven Power Output into 8 ohms 600 watts
 Total Harmonic Distortion (20 Hz to 20,000 Hz) 0.008% at rated power into 8 ohms
 AUX Input to SPEAKER output 0.008% at rated power into 8 ohms
 Intermodulation Distortion (80 Hz, 7 kHz \pm 1) 0.008% at 1/2 rated power into 8 ohms
 Clipping Factor 1.000 at 100 Hz
 Transient Response 1.5 μ s
 Rise Time \leq 100 μ s
 Fall Time \leq 100 μ s
 Frequency Response DC to 200 kHz \pm 3 dB
 Speaker Impedance Adjustable 4 ohms to 16 ohms
 Input Sensitivity/Impedance 25 mV/16 k ohms
 Phono (MM) 0.2 mV/100 ohms
 Phono (MC) 2.5 mV/16 k ohms
 Tuner, AUX, Type A, B 150 mV/16 k ohms
 Signal-to-Noise Ratio (SNR, A) 87 dB for 2.5 mV input
 Phono (MC) 93 dB for 5.0 mV input
 Phono (MM) 99 dB for 10 mV input
 70 dB for 0.25 mV input
 78 dB for 0.5 mV input
 Tuner, AUX, Type A, B 107 dB for 150 mV input
 Maximum Input Level 250 mV (RMS), T.H.D. 0.008% at 1,000 Hz
 Phono (MM) 20 mV (RMS), T.H.D. 0.008% at 1,000 Hz
 Output Level/Impedance 150 mV/320 ohms
 Tone REC (pin) 30 mV/80 ohms
 Phono Frequency Response RIAA standard curve \pm 0.3 dB
 120 Hz to 20,000 Hz
 Tone Control Bass Turnover Freq. 200 Hz \pm 10 dB at 50 Hz
 400 Hz \pm 10 dB at 100 Hz
 1 kHz \pm 10 dB at 10 kHz
 Treble Turnover Freq. 3 kHz \pm 10 dB at 20 kHz
 10 kHz \pm 10 dB at 100 kHz
 Loudness Control 6 kHz \pm 10 dB at 100 Hz to \pm 30 dB VOLUME Level
 SENS Filter 18 Hz, 6 dB/oct

GENERAL
 Power Requirements 80 W, 120 V U.S.A. & Canada Mode
 Model also fits where monophase supplies to accommodate 50/60 Hz, 110-120 V/220-240 V
 700 W (three power at 8 ohms)
 Power Consumption Switched 2, Unswitched 1
 A.C. Outlets W 440 mm, H 117.5 (16")
 Dimensions W 103 mm, H 116.6 (16")
 H 340 mm, D 340 mm, (13.25/64")
 Net Weight 10.2 kg (22.4 lb)
 * Measured pursuant to Federal Trade Commission's Free Reproduction Rule on Power Output Claims for Amplifier in U.S.A.

Kenwood follows a policy of continuous advancements in development. For this reason specifications may be changed without notice.

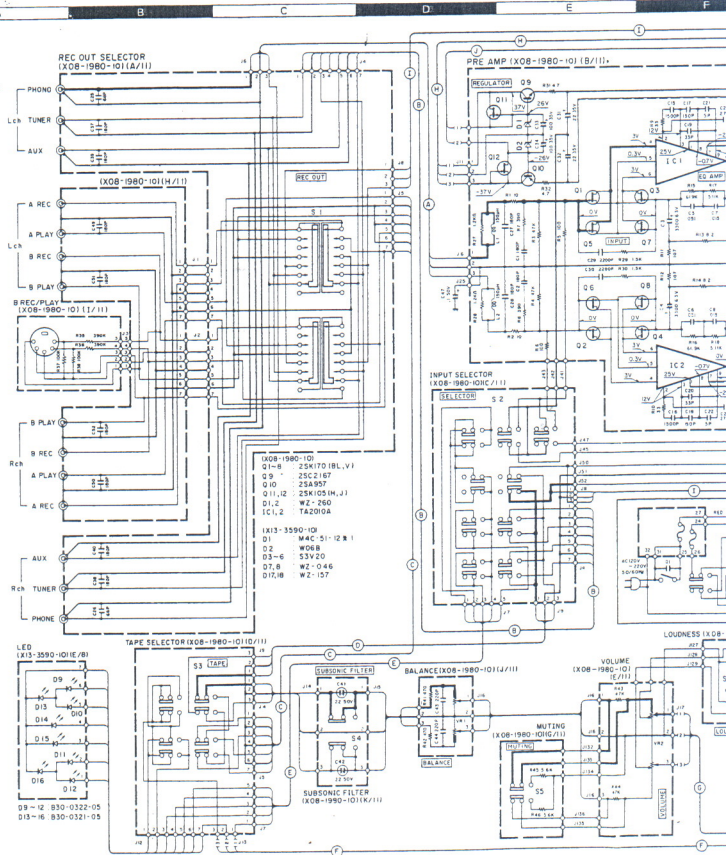
Kenwood poursuit une politique de progrès constants en ce qui concerne le développement. Pour cette raison, les spécifications sont sujettes à modifications sans avis préalable.

Kenwood strebt ständige Verbesserungen in der Entwicklung an. Daher bleiben Änderungen der technischen Daten jederzeit vorbehalten.

2010A

μPA74V

- DC voltages are measured by a VOM of 20k Ω /V input impedance.
- Les tensions de courant continu sont mesurées par un multimètre d'une impédance d'entrée de 20k Ω /V.
- Die Gleichstrom-Spannungen werden durch ein Voltmetergerät von 20k Ω /V Eingangs-Impedanz gemessen.



2SA954 2SC1845
2SA988 2SC2003
2SA999 2SC2320
2SA1123 2SC2631
2SA1124 2SC2632
2SC1841



2SA957
2SA1111
2SC2167
2SC2591



2SA1095
2SC2565



2SB688
2SD718



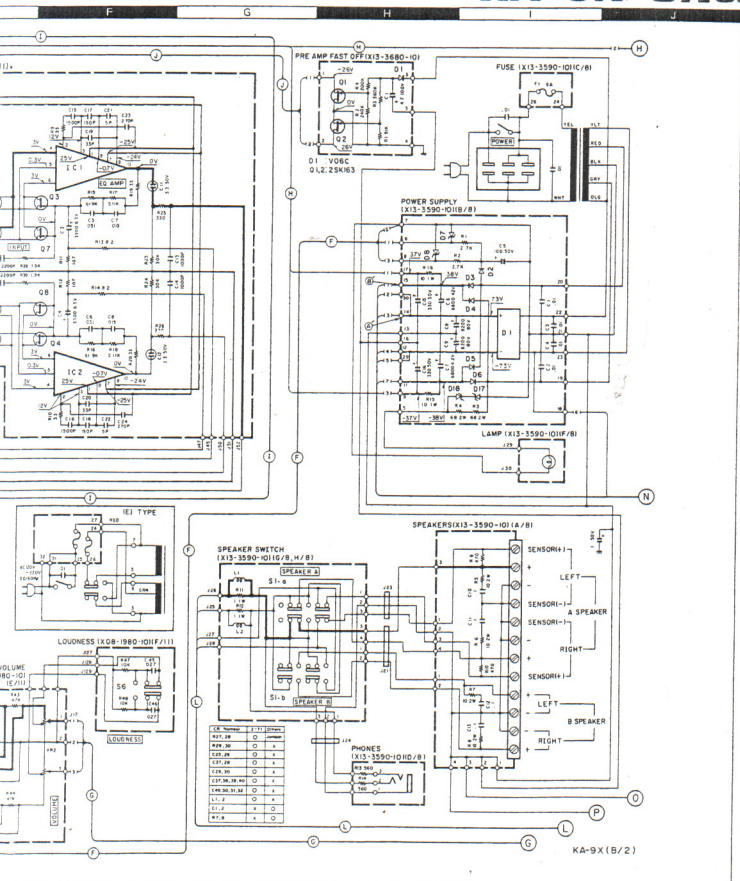
2SK105
2SK163
2SK170



μPA68H



μPC1



KA-9X (B/2)



- DC voltages are measured by a VOM of 20k Ω/V input impedance.
- Les tensions de courant continu sont mesurées par un multimètre d'une impédance d'entrée de 20k Ω/V.
- Die Gleichstrom-Spannungen werden durch ein Vielfachmeßgerät von 20k Ω/V Eingangs-Impedanz gemessen.